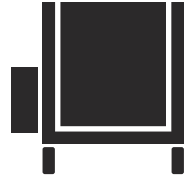




# Husqvarna®



A 25, A 45



EN Operator's manual

2-26

**KEVMOR**  
TRADE SUPPLIES

**Kevmor Trade Supplies**  
11 Belmont Avenue, Belmont WA 6104  
Ph: 08 9277 7177  
Email: [sales@kevmor.com.au](mailto:sales@kevmor.com.au)  
Web: [kevmor.com.au](http://kevmor.com.au)

---

# Contents

---

Introduction.....	2	Introduction.....	11
Safety.....	4	Troubleshooting.....	15
Assembly.....	8	Transportation, storage and disposal.....	21
Operation.....	9	Technical data.....	23
Maintenance.....	11	Declaration of Conformity.....	25

---

## Introduction

---

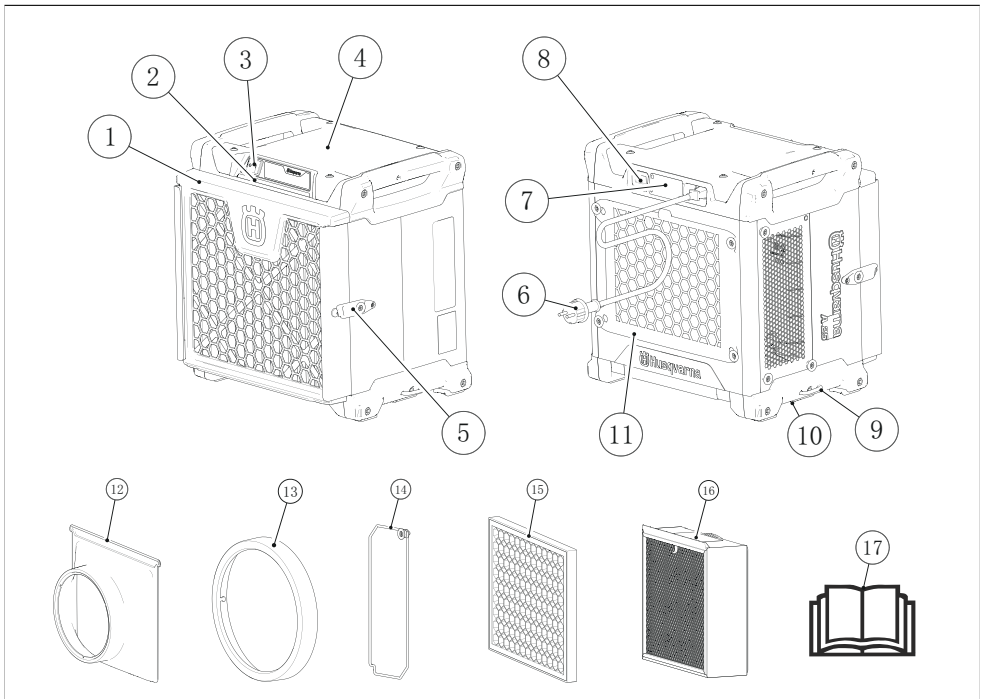
### Product description

The product is a portable filtration system that cleans air in different stages depending on configuration setup. The first step uses a pre filter that collects the large particles and protects the essential filter. In the second step the essential filter collects small particles. A third optional stage with carbon filter can be installed to collect fumes and odors. The product has a 1 phase fan.

### Intended use

The product is for commercial/industrial use by professional operators only. The product is used to clean the air. The product must only be used with dry material, that is not explosive. Do not use the product for other tasks.

### Product overview A 25

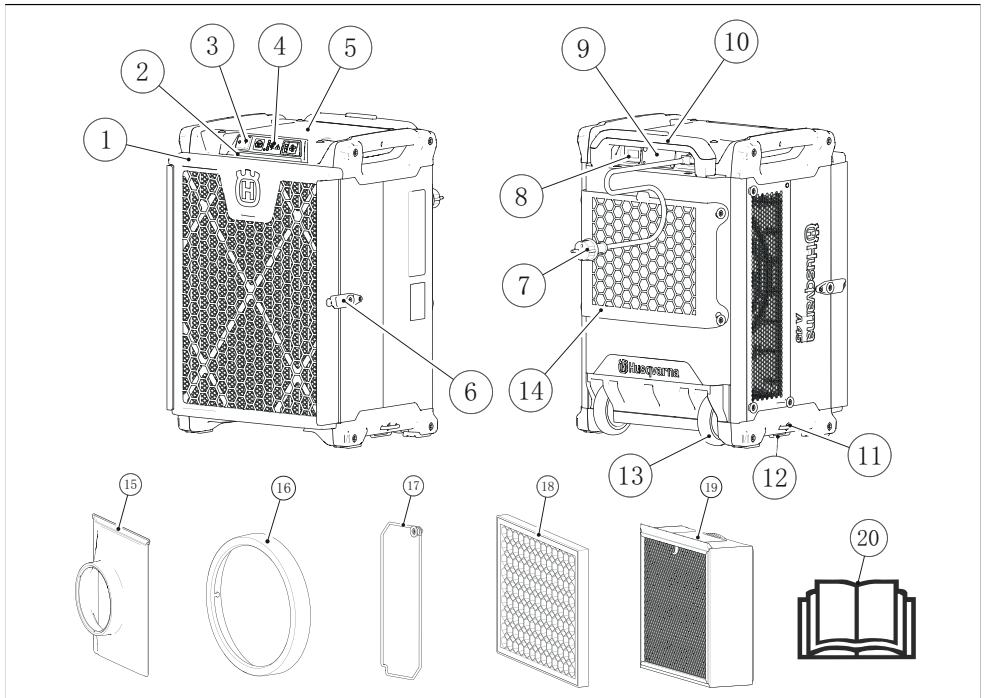


- |                       |               |
|-----------------------|---------------|
| 1. Pre filter cover   | 6. Power cord |
| 2. Status bar         | 7. Type plate |
| 3. On/Off switch      | 8. Hour meter |
| 4. Top cover          | 9. Lock pin   |
| 5. Filter locking arm | 10. Belt hook |

- 11. Storage rubber pocket
- 12. Air inlet hose adapter \*
- 13. Air inlet locking ring \*
- 14. Air outlet adapter ring

- 15. Carbon filter \*
  - 16. Essential H14 filter \*
  - 17. Operator's manual
- \* = sold separately

## Product overview A 45



- 1. Pre filter cover
- 2. Status bar
- 3. On/Off switch
- 4. Control panel
- 5. Top cover
- 6. Filter locking arm
- 7. Power cord
- 8. Hour meter
- 9. Type plate
- 10. Handle bar
- 11. Lock pin
- 12. Belt hook
- 13. Wheel
- 14. Storage rubber pocket
- 15. Air inlet hose adapter \*
- 16. Air inlet locking ring \*
- 17. Air outlet adapter ring
- 18. Carbon filter \*
- 19. Essential H14 filter \*

- 20. Operator's manual
- \* = sold separately

### Symbols on the product



**WARNING:** This product can be dangerous and cause serious injury or death to the operator or others. Be careful and use the product correctly.



Read the operator's manual carefully and make sure that you understand the instructions before you use the product.



Do not use metal hooks, chains or other lifting equipment with rough edges that can cause damage to the lifting eye. Only use soft lifting straps.



This product is in compliance with applicable EC directives.



The product conforms to the applicable UK regulations.



The product is not domestic waste. Recycle it at an approved disposal location for electrical and electronic equipment.

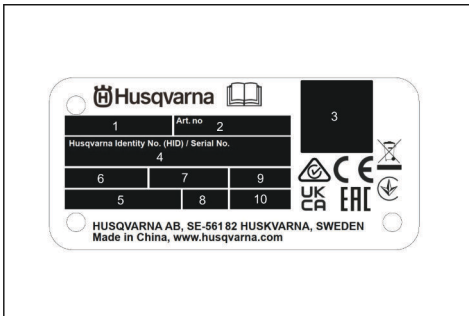
1. Model
2. Article number
3. Scannable code
4. Serial number
5. Rated power or current(A)
6. Rated voltage
7. Frequency
8. Weight
9. IP class
10. Production year

## Product damage

We are not responsible for damages to our product if:

- the product is incorrectly repaired.
- the product is repaired with parts that are not from the manufacturer or not approved by the manufacturer.
- the product has an accessory that is not from the manufacturer or not approved by the manufacturer.
- the product is not repaired at an approved service center or by an approved authority.

## Type plate



## Safety

### Safety definitions

Warnings, cautions and notes are used to point out specially important parts of the manual.



**WARNING:** Used if there is a risk of injury or death for the operator or bystanders if the instructions in the manual are not obeyed.



**CAUTION:** Used if there is a risk of damage to the product, other materials or the adjacent area if the instructions in the manual are not obeyed.

**Note:** Used to give more information that is necessary in a given situation.

### General safety instructions



**WARNING:** Read the warning instructions that follow before you use the product.

- This product is a dangerous tool if you are not careful or if you use the product incorrectly. This product can cause serious injury or death to the operator or others. Before you use the product, you must read and understand the contents of this operator's manual.
- This product is not intended for use by persons (including children) with reduced physical, sensory or mental capabilities, or lack of experience and knowledge.
- Save all warnings and instructions.
- Comply with all applicable laws and regulations.
- The operator and the employer of the operator must know and prevent the risks during operation of the product.
- Do not let a person operate the product unless they read and understand the contents of the operator's manual.
- Do not operate the product unless you receive training before use. Make sure that all operators receive training.
- Do not let a child operate the product.
- Only let approved persons operate the product.
- The operator is responsible for accidents that occur to other persons or their property.

- Do not use the product if you are tired, ill, or under the influence of alcohol, drugs or medicine.
- Always be careful and use your common sense.
- This product produces an electromagnetic field during operation. This field can under some circumstances interfere with active or passive medical implants. To decrease the risk of serious injury or death, we recommend persons with medical implants to speak to their physician and the medical implant manufacturer before operating this product.
- Keep the product clean. Make sure that you can clearly read signs and decals.
- Do not use the product if it is damaged.
- Do not make modifications to this product.
- Do not operate the product if it is possible that other persons have made modifications to the product.
- Do not operate the product without necessary filters.
- Avoid body contact with earthed or grounded surfaces, such as pipes, radiators, cookers, stoves and refrigerators. There is an increased risk of electric shock if your body is earthed or grounded.
- Check to ensure that the supply cord does not lie in a puddle of water.
- Check the appliance's supply cord at regular intervals and have it replaced by the manufacturer or his agent if damage is found. Check extension cord at regular intervals and replace them if found to be damaged.
- Do not touch the supply cord or extension cord if they are damaged while working. Disconnect the supply cord plug from the power outlet. Damaged supply cords or extension cords present a risk of electric shock.
- Do not abuse the cord. Never use the cord for carrying, pulling or unplugging the appliance. Keep the cord away from heat oil, sharp edges or moving parts. Damaged or entangled cords increase the risk of electric shock.

## Work area safety

- Keep work area clean and well lit. Cluttered or dark areas invite accidents.
- Do not operate the product in explosive atmospheres, such as in the presence of flammable liquids, gases or dust. The product create sparks which may ignite the dust or fumes.
- Keep children and bystanders away while operating the product. Distractions can cause you to lose control.
- When operating an electric appliance outdoors, use only extension cords of a type suitable for outdoor use. Use of an extension cord suitable for outdoor use reduces the risk of electric shock.
- In the event of an interruption in the electric supply, switch the appliance off and unplug it from the power outlet.
- Never operate the appliance when it is dirty or wet. Dust (especially dust from conductive materials) or dampness adhering to the surface of the appliance may, under unfavorable conditions, lead to electric shock. Dirty or dusty appliances should thus be checked by an approved service agent at regular intervals, especially if used frequently for working on conductive materials

## Electrical safety



**WARNING:** Do not expose the appliance to rain or wet conditions. Water entering an electrical appliance will increase the risk of electrical shock.



**WARNING:** To reduce the risk of fire or electric shock, do not use this fan with any solid-state speed control device.



**WARNING:** To reduce the risk of fire, electric shock or injury to persons, do not use replacement parts that have not been recommended by the manufacturer (e.g. parts made at home using a 3D printer).

- The plug on the supply cord of the appliance must match the outlet. Do not change the plug in any way. Do not use adapter plugs with earthed(grounded) appliances.
- Insert the plug in a suitable earthed/grounded power outlet which has been correctly and safely installed and is in compliance with local regulations. If you are in doubt about the effectiveness of the power outlet's earth/ground connection, have it checked by a qualified specialist.
- If operating an appliance in a damp location is unavoidable, use a residual current device (RCD) protected supply. Use of a RCD reduces the risk of electric shock.
- Do periodic electrical safety tests on the product. Refer to local regulations for the correct procedure.

## Personal safety

- Stay alert, watch what you are doing and use common sense when operating the product. Do not use the product while you are tired or under the influence of drugs, alcohol or medication. A moment of inattention while operating the product may result in serious personal injury.
- Use personal protective equipment. Always wear eye protection. Protective equipment such as dust mask, non-skid safety shoes, hard hat or hearing protection used for appropriate conditions will reduce personal injuries.
- Prevent unintentional starting. Ensure the switch is in the off-position before connecting to power source and/or battery pack, picking up or carrying the product. Carrying the product with your finger on

the switch or energizing the product that have the switch on invites accidents.

- Remove any adjusting key or wrench before turning the product on. A wrench or a key left attached to a rotating part of the product may result in personal injury.
- Do not overreach. Keep proper footing and balance at all times. This enables better control of the product in unexpected situations.
- Dress properly. Do not wear loose clothing or jewellery. Keep your hair and clothing away from moving parts. Loose clothes, jewellery or long hair can be caught in moving parts.
- If devices are provided for the connection of dust extraction and collection facilities, ensure these are connected and properly used. Use of dust collection can reduce dust-related hazards.
- Do not let familiarity gained from frequent use of tools allow you to become complacent and ignore tool safety principles. A careless action can cause severe injury within a fraction of a second.

## Product use and care

- Do not force the product. Use the correct product for your application. The correct product will do the job better and safer at the rate for which it was designed.
- Do not use the product if the switch does not turn it on and off. Any product that cannot be controlled with the switch is dangerous and must be repaired.
- Disconnect the plug from the power source, if detachable, from the product before making any adjustments, changing accessories, or storing the product. Such preventive safety measures reduce the risk of starting the product accidentally.
- Store the product out of the reach of children and do not allow persons unfamiliar with the product or these instructions to operate the product. The product is dangerous in the hands of untrained users.
- Maintain the product and accessories. Check for misalignment or binding of moving parts, breakage of parts and any other condition that may affect the product's operation. If damaged, have the product repaired before use. Many accidents are caused by poorly maintained product.
- Keep cutting tools sharp and clean. Properly maintained cutting tools with sharp cutting edges are less likely to bind and are easier to control.
- Use the product, accessories and tool bits etc. in accordance with these instructions, taking into account the working conditions and the work to be performed. Use of the product for operations different from those intended could result in a hazardous situation.
- Keep handles and grasping surfaces dry, clean and free from oil and grease. Slippery handles and grasping surfaces do not allow for safe handling and control of the tool in unexpected situations

## Service

- Only let an approved service center do servicing and only with approved spare parts. This will keep the product safe.
- Refer to *Maintenance schedule on page 12* for more information.

## Safety instructions for assembly

---



**WARNING:** Read the warning instructions that follow before you assemble the product.

---

- Unauthorized modifications and/or accessories may lead to serious injury or death to the user or others.
- Use only attachments as described in this manual. Use only manufacturers recommended attachments.
- Make sure that the assembly area is firm, so the product does not tip over. Risk of personal and material injury.

## Safety instructions for operation

---



**WARNING:** Read the warning instructions that follow before you use the product.

---

- Do not operate the product if the power cord or the plug is damaged.
- If the product does not operate correctly, hits the ground, is damaged, left outdoors or falls into water, stop the product. Let an approved service agent repair the product.
- Make sure that the motor and all controls are off before you disconnect the power cord.
- Disconnect the power cord from the outlet, when the product is not used, before you do servicing or before you go away from the product.
- Do not operate the product at temperatures below -10°C.
- Do not operate the product where there is a risk of explosion or in areas where there is flammable liquids or materials.
- Do not put objects into openings.
- Do not operate if an opening is blocked. Remove dust, lint, hair or other material that can decrease the air flow.
- Do not operate the product or pull the power plug with wet hands.
- Keep hair, loose clothing and all body parts away from openings and moving parts.
- Operate the product very carefully on stairs to prevent damage and injury if the product falls.
- Make sure that you always can stop the motor quickly in an emergency.
- Always lock the transport wheels if you do work on a rough surface.

- Do not operate the product without the filters installed. Replace the filters as given in this manual.
- If the product has unusual vibration or noise level, stop the product immediately and disconnect the power supply. Examine the product for damages. Unusual vibration is usually a warning of damage. Repair the damages or let an approved service agent do the repair.
- Do not pull the power cord to disconnect the power cord from the outlet. Always pull the plug to disconnect from the outlet.
- Always use approved accessories. Speak to your Husqvarna representative for more information.

## Personal protective equipment



**WARNING:** Read the warning instructions that follow before you use the product.

- Always use approved personal protective equipment when you operate the product. Personal protective equipment cannot fully prevent injury but it decreases the degree of injury if an accident does occur. Let your dealer help you select the correct personal protective equipment.
- Regularly do a check of the condition of the personal protective equipment.
- Use an approved protective helmet.
- Use approved hearing protection.
- Use approved respiratory protection with class P3 or higher.
- Use approved eye protection.
- Use protective gloves.
- Use protective shoes.

## Safety instructions for maintenance



**WARNING:** Read the warning instructions that follow before you use the product.

- If the maintenance is not done correctly and regularly, the risk of injury and damage to the product increases.
- Use personal protective equipment. Refer to *Personal protective equipment on page 7*.
- Disconnect the product from the power source before you do the maintenance.
- Do not change the product. Modifications that are not approved by the manufacturer can cause serious injury or death.
- Always use original accessories and spare parts. Accessories and spare parts that are not approved by the manufacturer, can cause serious injury or death.
- Replace damaged, worn or broken parts.

- Only do the maintenance as given in this operator's manual. Let an approved service agent do all other servicing.
- Let an approved service agent do servicing on the product regularly.

## Safety devices on the product



**WARNING:** Read the warning instructions that follow before you use the product.

- Never use a product that has faulty safety equipment! If your product fails any checks contact your service agent to get it repaired.
- Do not use the product if protective plates, protective covers, safety switches or other protective devices are not attached or are damaged.

## Always use common sense



**WARNING:** Under no circumstances should you modify the original design of the product without approval from the manufacturer. Always use original spare parts. Unauthorized modifications and/or accessories may lead to serious injury or death to the user or others.



**WARNING:** The use of products such as cutters, grinders, drills, that sand or form material can generate dust and vapours which may contain hazardous chemicals. Check the nature of the material you intend to process and use an appropriate breathing mask.

It is not possible to cover every conceivable situation you can face when using the product. Always exercise care and use your common sense. Avoid all situations which you consider to be beyond your capability. If you still feel uncertain about operating procedures after reading these instructions, you should consult an expert before continuing.

Do not hesitate to contact your representative if you have any more questions about the use of the product. We will willingly be of service and provide you with advice as well as help you to use your product both efficiently and safely.

Let your dealer check the product regularly and make essential adjustments and repairs.

Husqvarna AB has a policy of continuous product development. reserves the right to modify the design and appearance of products without prior notice and without further obligation introduce design modifications.

All information and all data in the operator's manual were applicable at the time the operator's manual was sent to print.

# Assembly

## Introduction

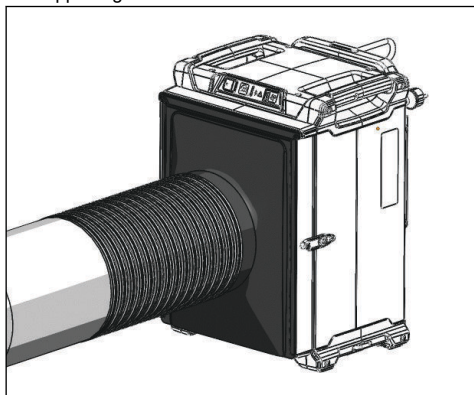


**WARNING:** Read and understand the safety chapter before you assemble the product.

## To install the accessories

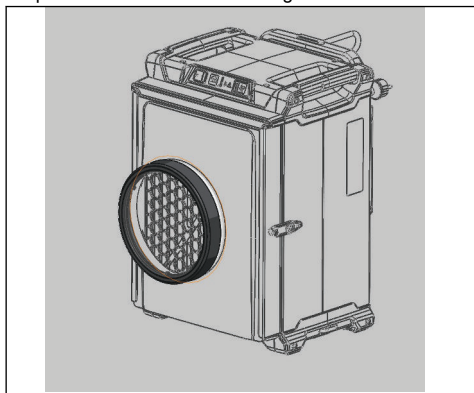
### To install the inlet hose adapter with a self-supporting hose

- Install the inlet hose adapter in front of the pre filter holder. Use a hose clamp to connect the self-supporting hose.



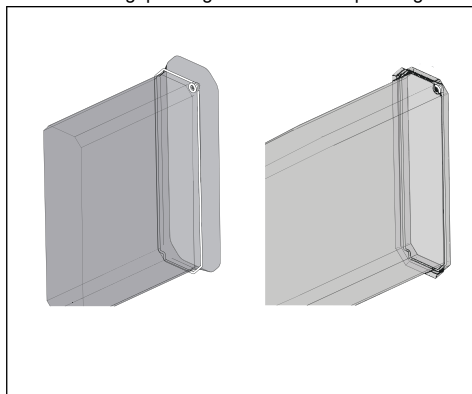
### To install the inlet hose adapter with an inlet ring

- Put a plastic film in front of the the inlet hose adapter. Attach the inlet ring in front of the plastic film, make sure it locks. Cut and remove the inner plastic film around the inlet ring.

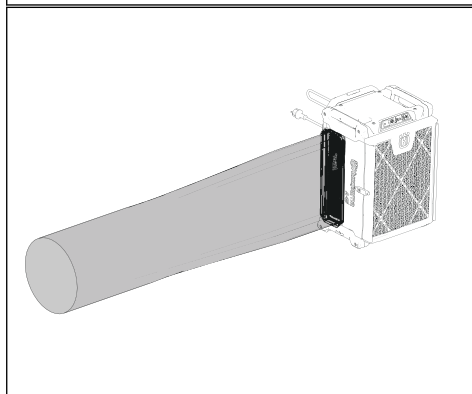
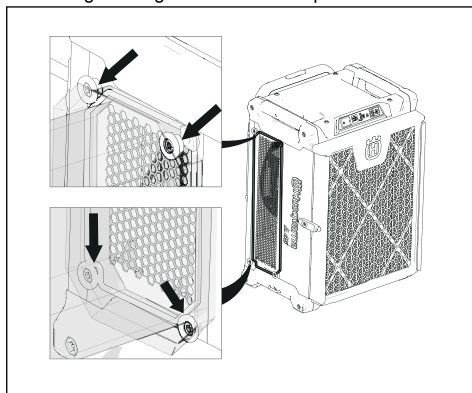


## To install the outlet adapter

1. Put the longopac bag inside of the adapter ring.



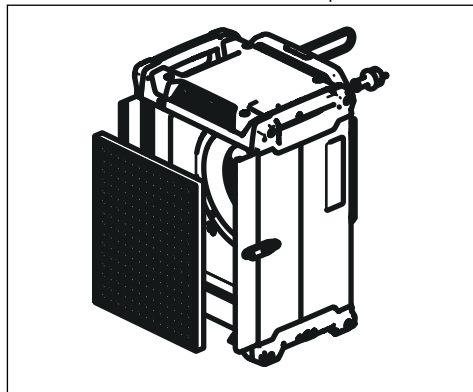
2. Install the longopac bag and the adapter ring with 4 locking bushings on the air outlet plate.



## To install the carbon filter

1. Remove the pre filter. Refer to *To replace the pre filter on page 13*.
2. Remove the Essential filter. Refer to *To replace the essential filter on page 13*.

3. Put the carbon filter inside the inlet plate.



---

## Operation

---

### Grounded product instructions



**WARNING:** Incorrect connection can result in electrical shock. Speak to an approved electrician if you are not sure if your mains outlet is correctly grounded.

Do not do modifications to the power plug from its factory specification. If the power plug or power cord is damaged or must be replaced, speak to your service agent. Obey local regulations and laws.

If you do not fully understand the instructions about the grounded product, speak to an approved electrician.

---

Use only grounded outdoor extension cables with grounding plugs and grounding outlet that accepts the product power plug.

The product has a grounded power cord and power plug. Always connect the product to a grounded mains outlet. This decreases the risk of electrical shock.

Do not use electrical adapters with the product.

### To do before you operate the product



**WARNING:** To prevent the risk of injury, make sure that you attach the product plug fully to the extension cable. Do regular checks of the connection while you operate the product to make sure that it is fully attached. Do not use an extension cable that makes a loose connection.

---

**Note:** The operation conditions are 800 m/2625 ft maximum altitude, temperature between -10°C/14°F to +40°C/104°F and humidity 85%.

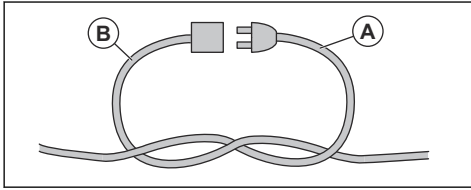
---

**Note:** Read the operator's manual of the attached equipment carefully. If specified requirements or settings are given for the dust extractor, make sure that you obey these.

---

1. Read the operator's manual carefully and make sure that you understand the instructions.
2. Do the daily maintenance. Refer to *Maintenance schedule on page 12*.
3. Make sure that the work area is clean and bright.
4. Use personal protective equipment. Refer to *Personal protective equipment on page 7*.
5. Make sure that the product is installed correctly.
6. Make sure to not put the product adjacent to an obstacle. It is important that the air can move freely.
7. Make sure that the frequency and voltage shown on the type plate agrees with the power supply voltage. This is also applicable for the extension cables.
8. The product can be used to make negative pressure. Do not put the product in the area where the negative pressure is wanted.

- Attach the product cord (A) with the extension cable (B) during operation to make sure that they stay connected.



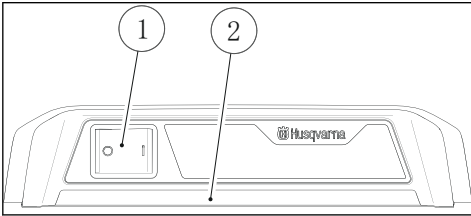
## To operate the product

The product can be used in different operations.

- The product can be used horizontally with the outlet pointing up. This operation can be used in areas with much dust.
- The product can be used to make negative pressure. Do not put the product in the area where the negative pressure is wanted.

## Functions of the control panel A 25

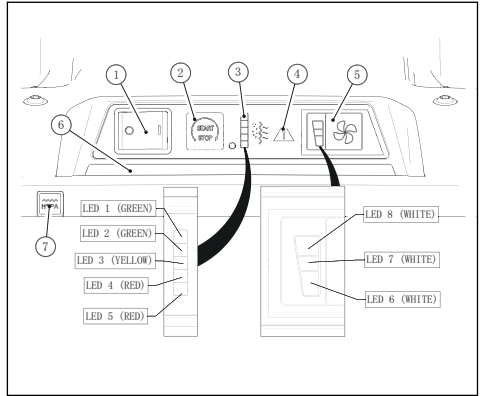
The control panel controls and monitors important functions and setups of the product. Refer to *LED indicators on the control panel A 45 on page 17* to find solutions for the warnings.



- The On/Off switch.
- Status bar.

## Functions of the control panel A 45

The control panel controls and monitors important functions and setups of the product. Refer to *LED indicators on the control panel A 45 on page 17* and *Warning symbols on the control panel A 45 on page 19* to find solutions for the warnings.



- The On/Off switch.
- The Start/Stop button for the fan.
- The 5 LED indicators for airflow status.
  - LED 1 shows with a green light that the filter capacity is high.
  - LED 2 shows with a green light that the filter capacity is standard.
  - LED 3 shows with a yellow light that the filter capacity is low.
  - LED 4 and LED 5 shows at the same time with a red light that the filter capacity is very low.
  - LED 5 shows with a red light that it is necessary to replace the filter.
- The warning indicator. Refer to *Warning symbols on the control panel A 45 on page 19* to find solutions for the warnings.
- The fan speed button.
  - LED 6 shows low fan speed
  - LED 6 and LED 7 at the same time shows standard fan speed
  - LED 6, LED 7 and LED 8 at the same time shows maximum fan speed
- Status bar. *LED indicators on the control panel A 45 on page 17.*
- HEPA test button. Refer to *To do a check of the essential filter A 45 on page 11.*

## To start and stop the product A 25



**WARNING:** Wait at minimum for 5 seconds after you start the product to operate with full suction. The suction is not at full capacity directly at start.

- Connect the power cord to the power socket.
- Press the ON/OFF switch to the ON position (I). Refer to *Functions of the control panel A 25 on page 10* for location

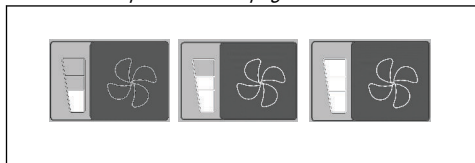
3. Press the ON/OFF switch to the OFF position (O) to shut down the product. Refer to *Functions of the control panel A 25 on page 10* for location.
4. Disconnect the power cord from the power socket.

## To start and stop the product A 45



**WARNING:** Wait at minimum for 5 seconds after you start the product to operate with full suction. The suction is not at full capacity directly at start.

1. Connect the power cord to the wall outlet.
2. Press the ON/OFF switch to the ON position (I).
3. Press the fan speed button to select between 3 different levels of fan speed. Refer to *Functions of the control panel A 45 on page 10* for location.



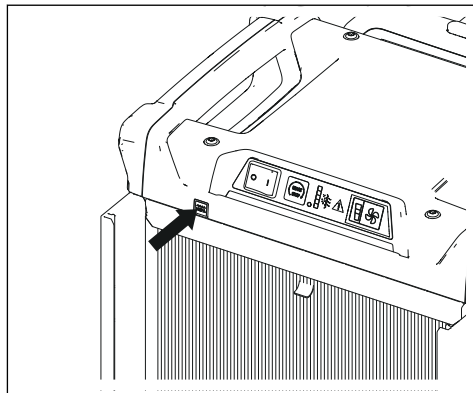
4. Press the START/STOP button for the fan to start and to stop the fan operation. Refer to *Functions of the control panel A 45 on page 10* for location.
5. Press the ON/OFF switch to the OFF position (O) to stop the product. Refer to *Functions of the control panel A 45 on page 10* for location.

## To do a check of the essential filter A 45

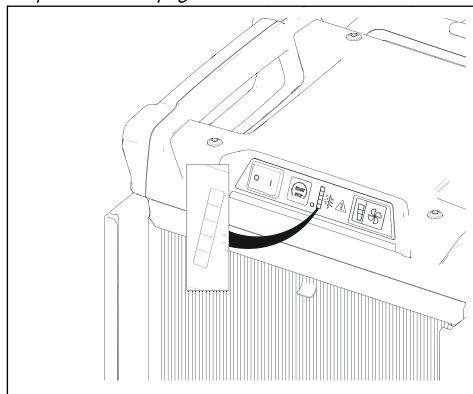
The HEPA test button is used to examine the status of the essential filter of the product

1. Stop the product. Refer to *To start and stop the product A 45 on page 11*.
2. Remove the pre filter from the product. Refer to *to replace the pre filter on page 13*.
3. Start the product. Refer to *To start and stop the product A 45 on page 11*.

4. Press the HEPA test button.



5. The LED indicator for airflow shows the status of the essential filter. Refer to *LED indicators on the control panel A 45 on page 17*.



## Hour meter

The hour meter shows how many hours the product has been in operation. Refer to *Product overview A 25 on page 2* for the position of the hour meter on A25. Refer to *Product overview A 45 on page 3* for the position of the hour meter on A45.

---

# Maintenance

---



---

## Introduction

---

Only an maintenance trained professional is permitted to perform maintenance tasks. Note: this is not necessarily the same as an trained professional operator

in the risk area of the product. The operator must be careful, make a plan and prepare the work to prevent accidents.



**WARNING:** Product related accidents occur during the troubleshooting, servicing and maintenance as the operator must be



**WARNING:** Before you do maintenance, make sure that the product switch is in the off position. Disconnect the power cord from the power outlet.



**WARNING:** Only let an approved electrician do all checks of the electric components.



**WARNING:** Make sure that you obey all local regulations to dispose the dangerous dust correctly, before and during maintenance.



**WARNING:** The manufacturer, or an instructed person, must do a technical

inspection at least annually. The technical inspection includes an inspection of the product and correct function of the control mechanism. In addition to the filtration efficiency the product must be tested annually, or more frequently as may be specified by national requirements. If the test is not conducted the essential filter must be replaced by a new one.

## Maintenance schedule

The maintenance intervals are calculated from daily use of the product. The intervals change if the product is not used daily.

Maintenance	Before each use	Daily	Weekly	When suction is low	HEPA test cycle alarm	12 months
Examine the power cord and the connection to the power supply for damage.	X	X				
Look for signs of wear, damage, or loose connections of the controls before the unit is connected	X	X				
Look for signs of wear or damage of the plastic parts.	X	X				
Do a check of the lifting handles.	X	X				
Do a check of the accessory. Look for damage and make sure that the accessory are correctly attached.	X	X				
Do a check of the wheels. Look for damage and make sure that the wheels are correctly attached.				X		
Do a check of the pre filter and the essential filter make sure that they are in correct position.				X		

Maintenance	Before each use	Daily	Weekly	When suction is low	HEPA test cycle alarm	12 months
Remove and replace the pre filter. Refer to <i>To replace the pre filter on page 13.</i>			X	X		
Remove and replace the essential filter. Refer to <i>To replace the essential filter on page 13.</i>					X	X

## To replace the pre filter



**WARNING:** Dust can come out in the air during filter change. Use personal safety equipment, refer to *Personal protective equipment on page 7.*

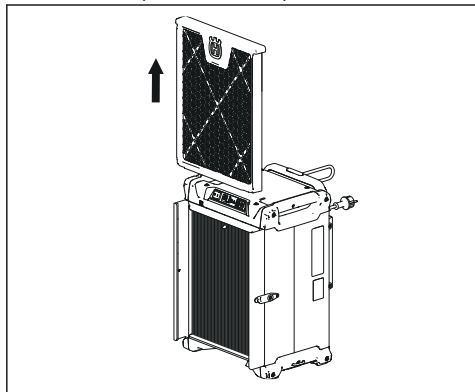


**WARNING:** Stop the product and disconnect the power cord from the wall outlet.

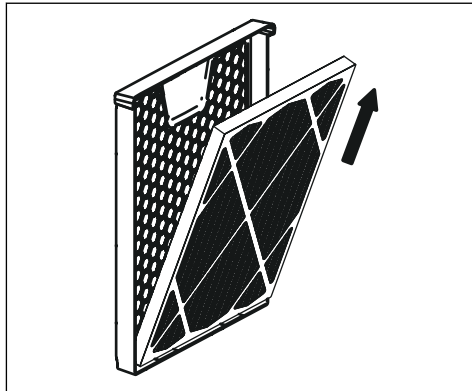
The essential filter and the pre filter must be replaced when damaged or full.

If the suction is not sufficient when the new pre filter is installed, it if necessary to replace the essential filter. Refer to *To replace the essential filter on page 13.*

1. Remove the pre filter and the protection cover.



2. Remove the pre filter from the protection cover.



3. Install in the opposite sequence.

**Note:** Make sure to put the used pre filter in a plastic bag and discard it correctly. Refer to local regulations.

## To replace the essential filter



**WARNING:** Dust can come out in the air during filter change. Use personal safety equipment, refer to *Personal protective equipment on page 7.*



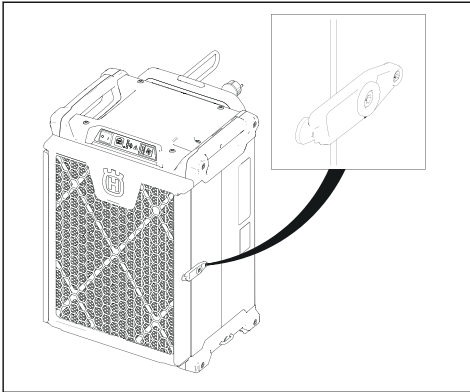
**WARNING:** Stop the product and disconnect the power cord from the wall outlet.

**Note:** The essential filter can not be cleaned. It is always necessary to replace it with a new essential filter. Only use Husqvarna original essential filters.

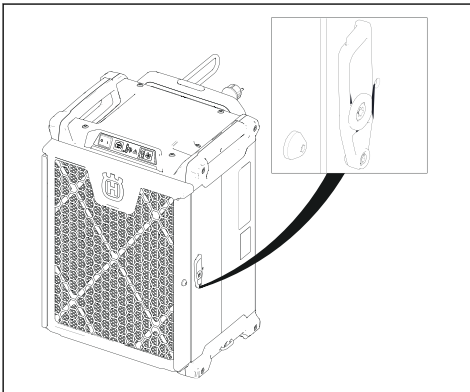
The essential filter and the pre filter must be replaced when damaged or full.

1. Remove the pre filter and the protection cover. Refer to *To replace the pre filter on page 13.*

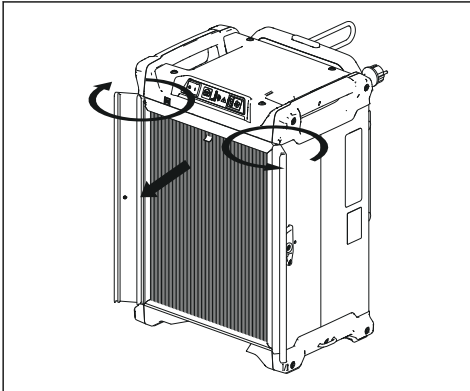
2. Loosen the screws on the 2 fasteners on each side.



3. Rotate the fasteners.



4. Open the filter holder and remove the essential filter.



5. Install a new essential filter in the opposite sequence.

---

**Note:** Make sure to put the used pre filter in a plastic bag and discard it correctly. Refer to local regulations.

---

### To clean the product



**WARNING:** Stop the product and disconnect the power cord from the wall outlet.

---



**WARNING:** Dust can come out in the air when cleaning the product. Use personal safety equipment, refer to *Personal protective equipment* on page 7.

---

- Do not clean the product with a high-pressure washer or compressed air.
- Clean the external surface with a moist cloth.
- Do not use water on electrical components.
- The essential filter cannot be cleaned and must be replaced when full.
- After maintenance, put discarded parts in plastic bags. Refer to local regulations for the correct procedure.
- If you use water to clean the product, remove the pre filter and the essential filter before you clean.

### To do a check of the control panel

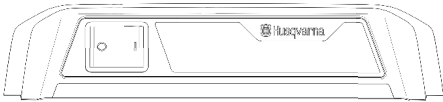
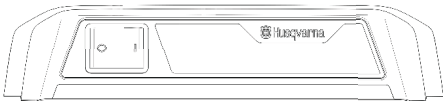
1. Start the product. Refer to *To start and stop the product A 25* on page 10.
2. Push the start/stop button for the fan (only for A 45). Refer to *Functions of the control panel A 45* on page 10.

# Troubleshooting




## Troubleshooting schedule


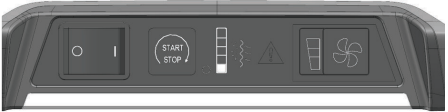
Problem	Cause	Solution
The fan does not start.	The product has no power.	Connect the product to a wall outlet.
	The cable is damaged.	Replace the cable.
	The ON/OFF switch is damaged.	Replace the ON/OFF switch.
The fan stops immediately after start of the product.	The product is connected to the incorrect fuse.	Connect the product to the correct fuse.
The fan is on but the suction is low.	The pre filter is blocked.	Replace the pre filter.
	The essential filter is blocked.	Replace the essential filter.
	The transportation cover is still on the product.	Remove the transportation cover.
	The fan is loose.	Make sure the fan is in correct position.
Dust blows from the product.	The pre filter is damaged or not assembled correct.	Adjust or replace the pre filter.
	The essential filter is damaged or not assembled correct.	Adjust or replace the essential filter.
Unusual noise comes from the product.		Speak to Husqvarna service agent.
The indicator for damaged or incorrectly installed filter system lights up.	The essential filter is not installed, incorrectly installed or damaged.	Install or replace the essential filter.
The indicator for almost full filter system lights up.	The pre filter is full.	Replace the pre filter.
The indicator for almost full filter system lights up after the pre filter is replaced.	The essential filter is full.	Replace the essential filter.

## LED indicators on the control panel A 25

Symbols	LED indicator	Cause	Action
	<ul style="list-style-type: none"> <li>Status bar LED lights up in white.</li> </ul>	Filter capacity is high without errors.	No procedure is necessary.
	<ul style="list-style-type: none"> <li>Status bar LED flashes in red in.</li> <li>The buzzer starts.</li> </ul>	Maximum filter capacity is reached.	Replace the pre filter. Refer to <i>To replace the pre filter on page 13.</i>

## LED indicators on the control panel A 45

Symbols	LED indicator	Cause	Action
 <p>The control panel shows the power switch, a 'START STOP' button, a status bar with all five segments lit green, a warning triangle, and a fan icon.</p>	<ul style="list-style-type: none"> <li>• LED 1 lights up in green.</li> <li>• Status bar LED lights up in white.</li> </ul>	<p>Filter capacity is high without errors.</p>	<p>No procedure is necessary.</p>
 <p>The control panel shows the power switch, a 'START STOP' button, a status bar with three segments lit green and two lit white, a warning triangle, and a fan icon.</p>	<ul style="list-style-type: none"> <li>• LED 2 lights up in green.</li> <li>• Status bar LED lights up in white.</li> </ul>	<p>Filter capacity is medium without errors.</p>	<p>No procedure is necessary.</p>
 <p>The control panel shows the power switch, a 'START STOP' button, a status bar with one segment lit yellow and four lit white, a warning triangle, and a fan icon.</p>	<ul style="list-style-type: none"> <li>• LED 3 lights up in yellow.</li> <li>• Status bar LED lights up in white.</li> </ul>	<p>Filter starts to get clogged without errors.</p>	<p>Examine the pre filter. If it is necessary, replace it. Refer to <i>To replace the pre filter on page 13.</i></p>



Symbols	LED indicator	Cause	Action
	<ul style="list-style-type: none"> <li>• LED 4 and LED 5 lights up in red.</li> <li>• Status bar LED lights up in red.</li> </ul>	<p>Filter capacity is very low without errors.</p>	<p>Replace the pre filter. Refer to <i>To replace the pre filter on page 13.</i></p>
	<ul style="list-style-type: none"> <li>• LED 5 flashes in red in 1Hz</li> <li>• Status bar LED flashes in red in 1Hz.</li> <li>• The buzzer starts.</li> </ul>	<p>Maximum filter capacity is reached without errors.</p>	<p>Replace the pre filter. Refer to <i>To replace the pre filter on page 13.</i></p>


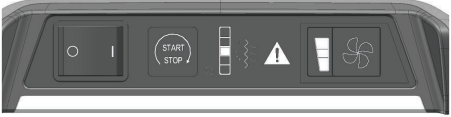
## Warning symbols on the control panel A 45


in 2Hz and the product automatically stops.  
Speak with an approved service agent  
before you operate the product again.



**CAUTION:** Do not operate the product  
if the LED indicator flashes with red light

Warning symbols	LED indicator	Cause	Action
	<ul style="list-style-type: none"> <li>• LED 2 flashes in red in 2Hz.</li> <li>• Status bar LED flashes in red in 2Hz.</li> <li>• Fan speed LED flashes in 2Hz.</li> <li>• Warning triangle symbol flashes in 2Hz.</li> <li>• The buzzer starts.</li> <li>• Fan stops.</li> </ul>	<p>The fan is overheated.</p> <hr/> <p>PCBA/Electrical component error.</p>	<p>Send the product to a service center</p>
	<ul style="list-style-type: none"> <li>• LED 5 flashes in red in 2Hz.</li> <li>• Status bar LED flashes in red in 2Hz.</li> <li>• Fan speed LED flashes in 2Hz.</li> <li>• Warning triangle symbol flashes in 2Hz.</li> <li>• The buzzer starts.</li> <li>• Fan stops.</li> </ul>	<p>Filter is missing or damaged.</p>	<p>Examine the essential filter. If it is necessary, replace it. Refer to <i>To replace the essential filter on page 13.</i></p>

Warning symbols	LED indicator	Cause	Action
	<ul style="list-style-type: none"> <li>• LED 4 flashes in red in 2Hz.</li> <li>• Status bar LED flashes in red in 2Hz.</li> <li>• Fan speed LED flashes in 2Hz.</li> <li>• Warning triangle symbol flashes in 2Hz.</li> <li>• The buzzer starts.</li> <li>• Fan stops.</li> </ul>	<p>Too low voltage in power supply.</p>	<p>Make sure correct power supply is used.</p>
	<ul style="list-style-type: none"> <li>• LED 3 flashes in red in 2Hz.</li> <li>• Status bar LED flashes in red in 2Hz.</li> <li>• Fan speed LED flashes in 2Hz.</li> <li>• Warning triangle symbol flashes in 2Hz.</li> <li>• The buzzer starts.</li> <li>• Fan stops.</li> </ul>	<p>Too high voltage in power supply.</p>	<p>Make sure correct power supply is used.</p>

Warning symbols	LED indicator	Cause	Action
	<ul style="list-style-type: none"> <li>• Status bar LED flashes in red in 1Hz.</li> <li>• Warning triangle symbol flashes in 1Hz.</li> </ul>	<p>Possible leak in the filter system or a internal sensor error.</p>	<p>Follow the steps:</p> <ol style="list-style-type: none"> <li>1. Remove the essential filter and do a check for damage. If it is necessary, replace it. Refer to <i>To replace the essential filter on page 13</i>. If the LEDs continue to flash, move on to step 2.</li> <li>2. Put the essential filter back and run the product for 20 minutes. If the LEDs continue to flash, let an approved service agent repair the product.</li> </ol>

## Transportation, storage and disposal

### Transportation of the product

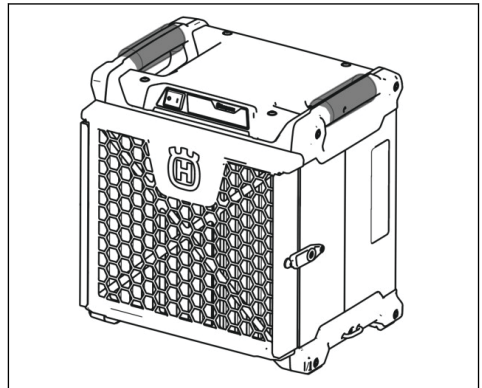
- Always clean the product before transportation. Refer to *Maintenance schedule on page 12*.
- To prevent damages and accidents, make sure that the product cannot move during transportation.

### To transport the product short distance A 25



**WARNING:** Be careful during transportation. The product is heavy and can cause injury or damage if it falls or moves during transportation.

- Lift up the product with the 2 side handles.

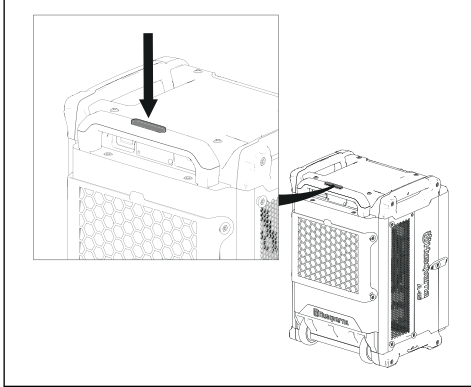


## To transport the product with telescopic handle (Only A 45)

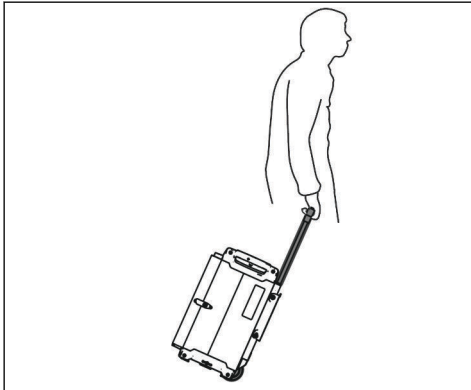


**WARNING:** Be careful during transportation. The product is heavy and can cause injury or damage if it falls or moves during transportation.

1. Pull out the telescopic handle.



2. Tilt the product until the wheels touch the ground.



## To transport the product long distance



**WARNING:** Be careful during transportation. The product is heavy and can cause injury or damage if it falls or moves during transportation.

1. Make sure that the power cord is tightly attached to the product.
2. Attach the lifting equipment through the side handles on the product and lift the product.
3. Attach the product during transportation. Make sure that it cannot move on the transportation vehicle.

## Storage of the product



**CAUTION:** Outdoor storage can cause damage to the product. Always keep the product indoors when it is in storage.

- Before long-term storage make sure to do a complete servicing and to clean the product. Refer to *Maintenance schedule on page 12*.
- Put the product in storage where the temperature is between  $-10^{\circ}\text{C}/14^{\circ}\text{F}$  to  $+40^{\circ}\text{C}/104^{\circ}\text{F}$ .
- Keep the product in a locked area to prevent access for children or persons that are not approved.
- Keep the product in a dry and frost-free area.

## To stack the product

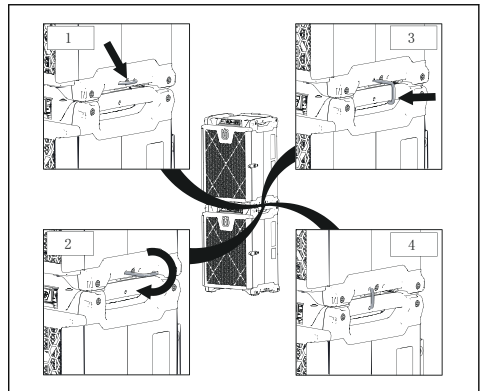
The product can be stacked and locked on top of each other.



**CAUTION:** If more than 2 products are stacked on top of each other make sure to attach safety straps to the products.

**Note:** Do not lift the product when it is stacked.

1. Put a product on top of the other. Make sure that the rubber feet of the product that is on top lock into position with the side handles of the product below.
2. Pull out the 2 lock pins on each side of the top product.
3. Turn the lock pins down and align them with the slots in the side handles of the product below.
4. Put the 2 lock pins into the slots of the product below.



## Disposal of the product

- Obey the local recycling requirements and applicable regulations.

- When the product no longer is used, send it to a dealer or discard it at a recycling location.

## Technical data

	A 25 (110V)	A 25 (120V)	A 25 (230V)	A 45 (100V)		A 45 (110V)	A 45 (120V)	A 45 (230V)
Voltage (V)	110–120	110–120	220–240	100		110–120	110–120	220–240
Phase	1							
Frequency, Hz	50	60	50–60	50–60		50	60	50–60
Maximum power, W	209	312	230	370	480	407	637	529
Maximum current, A	1.9	2.6	1	3.7	4.8	3.7	5.3	2.3
Maximum airflow (+/- 5 %), m <sup>3</sup> /h / cfm*	..**	..**	..**	1000/589**	900/531*	1040/613**	1188/700**	1070/631**
	500/295***	594/350***	540/319***	780/513***	815/481**	900/531***	1035/610***	1000/589***
	..****	..****	400/236****	660/389****	680/401**	700/413****	797/470****	750/442****
Pre filter area, m <sup>2</sup> /ft <sup>2</sup>	0.343/3.692			0.507/5.4573				
Filter efficiency essential	>99.95 % MPPS(HEPA 13)							
Total essential area, m <sup>2</sup> /ft <sup>2</sup>	3.0/32.292			4.6/49.514				
Dimensions L×W×H, mm/in	410×340×430/16.14×13.39×16.93			410×370×580/16.14×14.57×22.83				
Weight, kg/lbs	13.5/29.8	13.54/29.9	13.65/30.1	19.62/43.25		19.84/43.74		19.82/43.7
Sound pressure noise level at the operator's ear, dB (A) *****	63	63	62	1. Low: 58 2. Standard: 63 3. Maximum: 70		1. Low: 58 2. Standard: 63 3. Maximum: 70		1. Low: 57 2. Standard: 66 3. Maximum: 70
Protection class	IPX4							

	A 25 (110V)	A 25 (120V)	A 25 (230V)	A 45 (100V)	A 45 (110V)	A 45 (120V)	A 45 (230V)
Mains connection (type)	2P+G.4H 16A 110V/IEC 320 C-13	NEMA 5-15P/IEC 320 C-13	EU (SCHU KO)/IE C 320 C-13  AUS 10A/IE C 320 C-13	JIS C8303/IEC 320 C-13	2P+ G, H4 16A 110V/IEC 320 C-13	NEMA 5-15P/IEC 320 C-13	EU (SCHU KO)/IEC 320 C-13  AUS 10A/IEC 320 C-13

\* = Actual airflow value can differ with up to 5 % due to manufacturing tolerances.

\*\* = HEPA 13

\*\*\* = HEPA 13 + pre filter

\*\*\*\* = HEPA 13 + pre filter + carbon filter

\*\*\*\*\* = measurement result 1 m away from the product and 1.6 m up from the floor.

---

# Declaration of Conformity

---

## EU Declaration of Conformity

We, **Husqvarna AB**, SE-561 82 Huskvarna, Sweden, tel: +46-36-146500, declare on our sole responsibility that the product:

<b>Description</b>	Air Cleaner
<b>Brand</b>	Husqvarna
<b>Type/Model</b>	A 25, A 45
<b>Identification</b>	Serial numbers dating from 2024 and onwards

complies fully with the following EU directives and regulations:

<b>Directive/Regulation</b>	<b>Description</b>
2006/42/EC	"relating to machinery"
2014/30/EU	"relating to electromagnetic compatibility"
2011/65/EU	"relating to restrictions of hazardous substances"

and that the following standards and/or technical specifications are applied;

EN ISO 12100:2010,

EN 60335-1:2012/A11:2014/A13:2017/A1:2019/A14:2019/A2:2019/A15:2021/A16:2023,

EN 60335-2-65:2003/A1:2008/C1:2004/A11:2012,

EN 62233:2008,

EN IEC 55014-1:2021,

EN IEC 55014-2:2021,

EN IEC 61000-3-2:2019/A1:2021,

EN IEC 61000-3-3:2013/A1:2019/A2:2021,

EN IEC 63000:2018,

Responsible for technical documentation



A handwritten signature in black ink, appearing to read 'Martin Huber', with a long horizontal line extending to the right.

Martin Huber

R&D Director, Concrete Surface & Floors

Husqvarna AB, Construction Division

# UK Declaration of Conformity

We, **Husqvarna AB**, SE-561 82 Huskvarna, Sweden, tel: +46-36-146500, declare on our sole responsibility that the product:

<b>Description</b>	Air Cleaner
<b>Brand</b>	Husqvarna
<b>Type/Model</b>	A 25, A 45
<b>Identification</b>	Serial numbers dating from 2024 and onwards

complies fully with the following UK regulations:

The Supply of Machinery (Safety) Regulations 2008
Electromagnetic Compatibility Regulations 2016
The Restriction of the Use of Certain Hazardous Substances in Electrical and Electronic Equipment Regulations 2012

and that the following standards and/or technical specifications are applied;

- EN ISO 12100:2010,
- EN 60335-1:2012/A11:2014/A13:2017/A1:2019/A14:2019/A2:2019/A15:2021/A16:2023,
- EN 60335-2-65:2003/A1:2008/C1:2004/A11:2012,
- EN 62233:2008,
- EN IEC 55014-1:2021,
- EN IEC 55014-2:2021,
- EN IEC 61000-3-2:2019/A1:2021,
- EN IEC 61000-3-3:2013/A1:2019/A2:2021,
- EN IEC 63000:2018

UK Importer:  
Husqvarna UK Ltd  
Preston Road, Co. Durham  
DL5 6UP



Martin Huber  
R&D Director, Concrete Surface & Floors  
Husqvarna AB, Construction Division  
Responsible for technical documentation

